



R&S®NRX POWER METER

The new power meter generation with modern and intuitive user interface

The perfect choice for



Easy RF power measurements	Multi-channel measurements
RF pulse analysis	System integration

Key specifications	
Frequency range	DC to 110 GHz (sensor dependent)
Power measurement range	0.1 fW to 30 W (average) (sensor dependent)
Measurements channels	1 to 4
Display size	5"/12.7 cm
Display resolution	800 x 480 pixel (WVGA)
Touch panel	yes
Compatible sensors	R&S®NRPxxS(N)/T(N)/A(N) series R&S®NRP-Zxx series R&S®NRQ6 frequency selective power sensor R&S®NRT-Zxx directional power sensors
Weight	2.35 kg to 2.58 kg (option dependent)

Key features

- ▶ Intuitive operation with touchscreen based GUI
- ▶ Supports up to four R&S®NRP and R&S®NRQ6 power sensors
- ▶ Supports all sensor-dependent measurement functions
- ▶ Optional high-precision CW and pulse mode reference source module
- ▶ Optional power reflection measurements with R&S®NRT-Zxx sensors

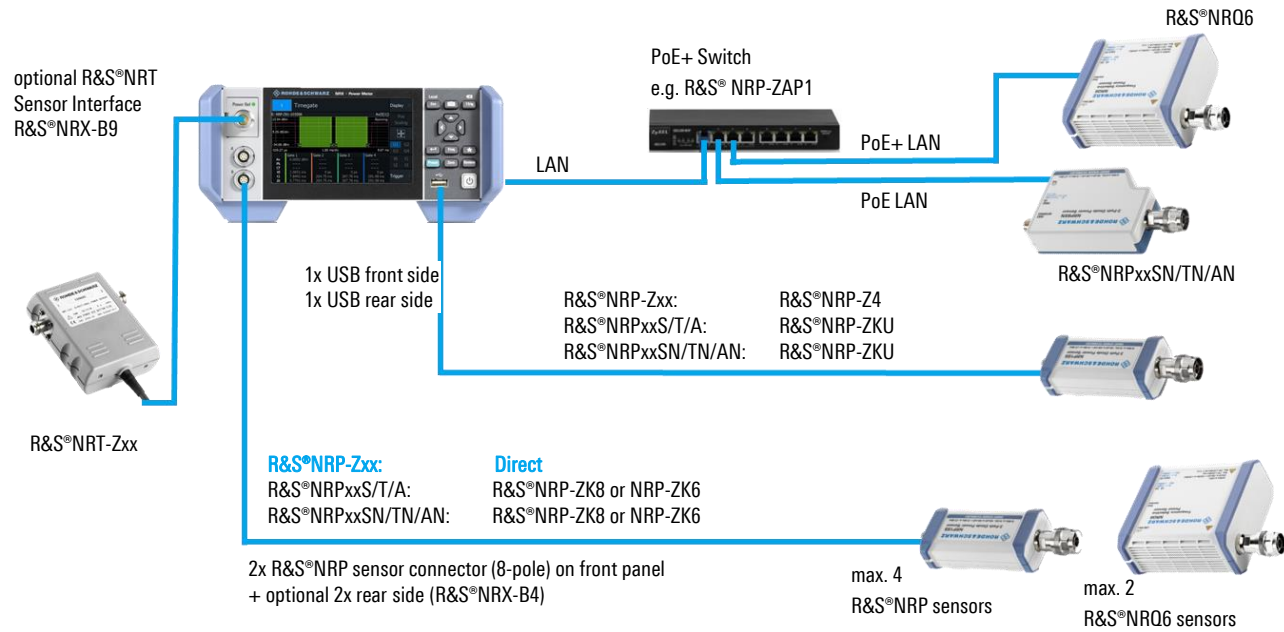
Your benefit	Features
Easy to use	<ul style="list-style-type: none"> ▶ Clear color touchscreen supports the intuitive, window based operating concept. ▶ Color-coded key parameters and functions can be seen at a glance. ▶ Results are presented in numerical and graphical display windows that can be easily configured.
Sensor check source	<ul style="list-style-type: none"> ▶ Superior pulse reference generator ▶ Test source for sensors and DUT ▶ Variable mode (CW/pulse), frequency (50 MHz/1 GHz) and discrete power steps
All-in-one base unit	<ul style="list-style-type: none"> ▶ Supports multipath, thermal, wideband and averaging sensors ▶ Supports frequency selective power sensors ▶ Supports directional power sensors



For more information:

www.rohde-schwarz.com/catalog/NRX

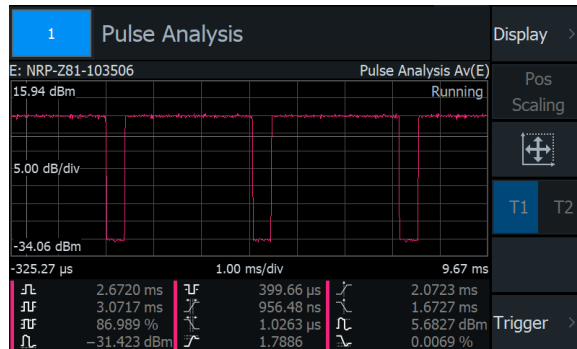
Universal sensor connectivity



Ordering information

Ordering information	
Base unit	
Power meter	R&S [®] NRX
Hardware options	
Sensor check source	R&S [®] NRX-B1
Third (C) and fourth (D) sensor connector for R&S [®] NRP	R&S [®] NRX-B4
GPIB/IEEE488 interface	R&S [®] NRX-B8
Sensor interface for R&S [®] NRT	R&S [®] NRX-B9
Software options	
Second measurement channel	R&S [®] NRX-K2
Third and fourth measurement channel	R&S [®] NRX-K4
Recommended accessories	
19" rack adapter (for one R&S [®] NRX power meter and one empty casing)	R&S [®] ZZA-KNA22
19" rack adapter (for two R&S [®] NRX power meters)	R&S [®] ZZA-KNA24
Recommended extras (should be ordered with R&S[®]NRP power sensors)	
8-pole interface cable, length: 1.50 m	R&S [®] NRP-ZK8
8-pole interface cable, length: 3.00 m	R&S [®] NRP-ZK8
8-pole interface cable, length: 5.00 m	R&S [®] NRP-ZK8

Automatic pulse analysis



All R&S[®]NRP-Z8x wideband power sensors allow automatic pulse analysis. Up to 12 of 18 user-selected pulse parameters can be displayed in addition to the measurement trace.

Flexible device interfacing



Rohde & Schwarz Representative

Rohde & Schwarz GmbH & Co. KG | Europe, Africa, Middle East +49 89 4129 12345 | North America 1 888 TEST RSA (1 888 837 87 72)

Latin America +1 410 910 79 88 | Asia Pacific +65 65 13 04 88 | China +86 800 810 82 28 / +86 400 650 58 96

www.rohde-schwarz.com | customersupport@rohde-schwarz.com

R&S[®] is a registered trademark of Rohde & Schwarz GmbH & Co. KG | PD 5215.0092.32 | Version 02.00 | April 2020 (as)

Trade names are trademarks of the owners | R&S[®]NRX Power Meter | Data without tolerance limits is not binding

Subject to change | © 2020 Rohde & Schwarz GmbH & Co. KG | 81671 Munich, Germany